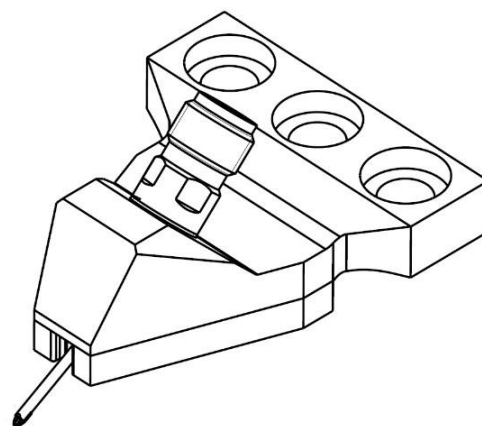
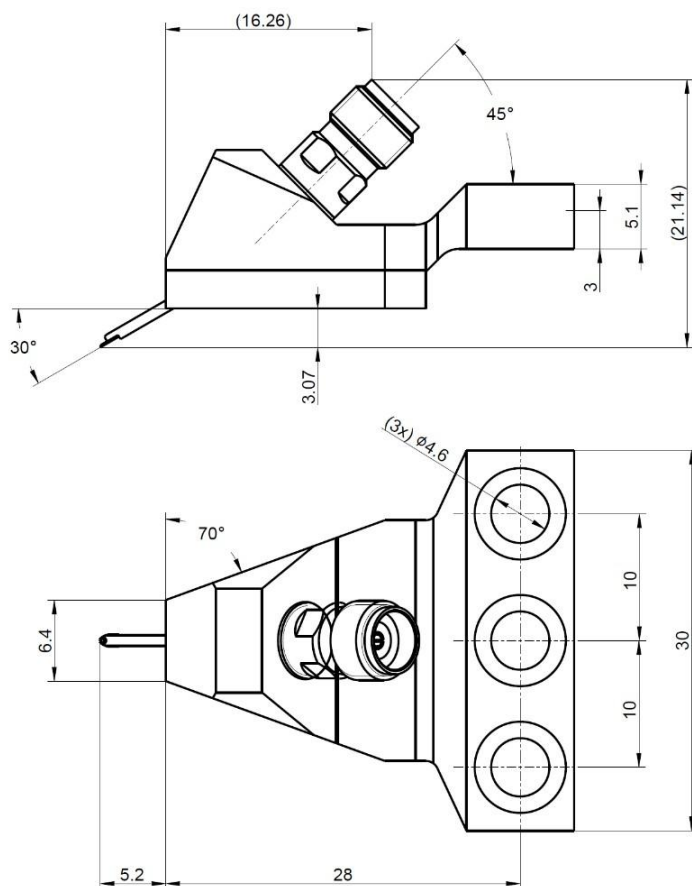


High frequency probe GSG configuration



- all the dimensions are in mm. Tolerance: +/-0.25

Configuration

Connector	1.85 female
Probe Material:	
-Probe tip	Nickel alloy, Gold plating
-Body	Aluminum Alloy
Probe tip width	30um
Overtravel	50um~75um

Electrical Characteristics

Impedance	50 Ω
Frequency Range	DC to 67 GHz
Return Loss	>14 dB @ DC to 67 GHz, based on GSG 150um
Insertion Loss	< 1 dB @ DC to 67 GHz, based on GSG 150um

Environment Data

Working Temperature	-45°C to +85°C
RoHS	Compliant

High frequency probe GSG configuration



Order Information

P/N	Description
1.85-A-GSG-xxx	45 Angle GSG Probe, xxx um pitch, DC to 67 GHz
1.85-A-GSG-100	45 Angle GSG Probe, 100 um pitch, DC to 67 GHz
1.85-A-GSG-200	45 Angle GSG Probe, 200 um pitch, DC to 67 GHz
1.85-A-GSG-400	45 Angle GSG Probe, 400 um pitch, DC to 67 GHz
