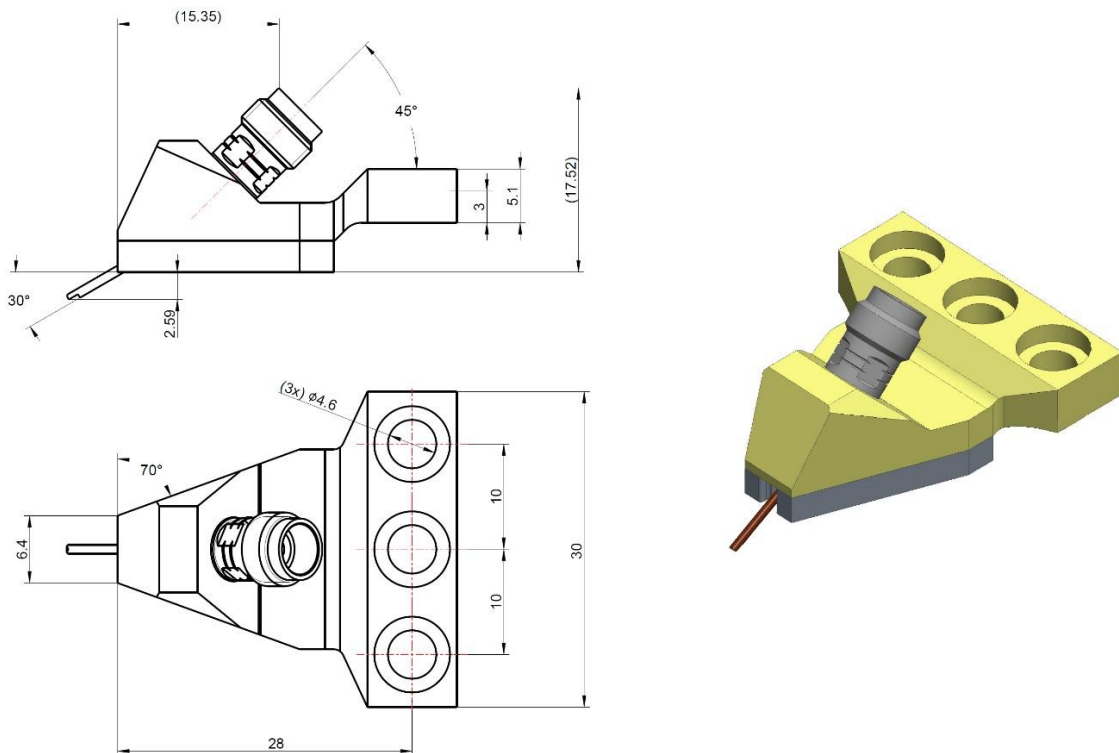


High frequency probe 67GHz, GSG configuration



- all the dimensions are in mm. Tolerance: +/-0.25

Configuration

Connector	1.85 female
Probe Material:	
-Probe tip	Nickel alloy, Gold plating
-Body	Aluminum Alloy
Probe tip width	25um
Recommend Overtravel	50un~75um

Electrical Characteristics

Impedance	50 Ω
Frequency Range	DC to 67 GHz
Return Loss	>14 dB @ DC to 67 GHz;
Insertion Loss	<1 dB @ DC to 67 GHz

Environment Data

Working Temperature	-45°C to +85°C
RoHS	Compliant

Order Information

P/N	Description
1.85-A-GSG-83	45 Angle GSG Probe, 83um pitch, DC to 67 GHz